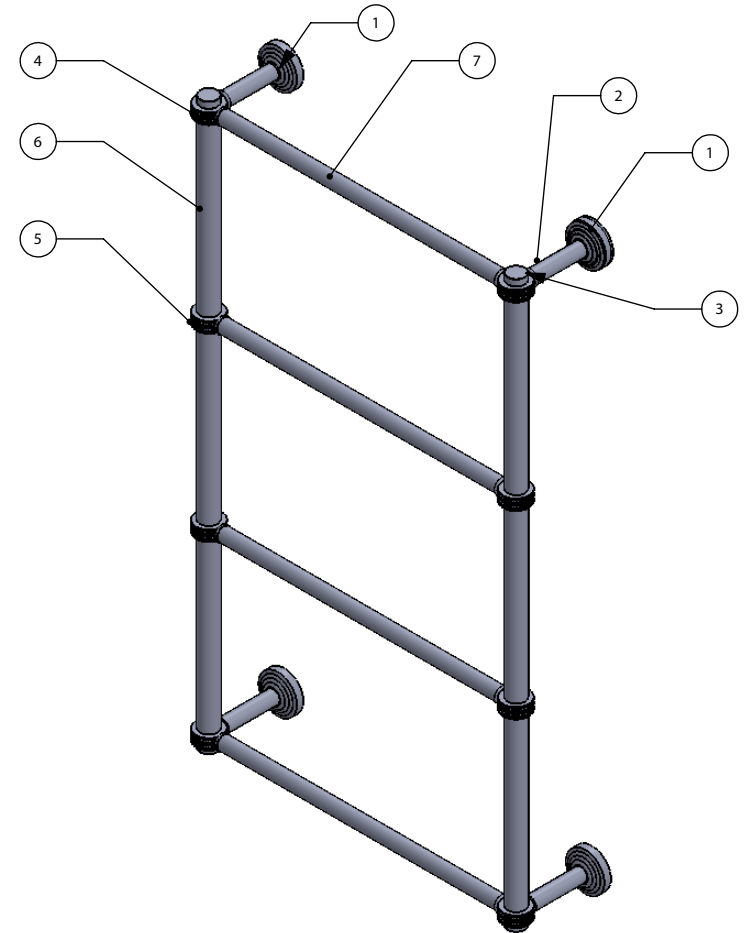
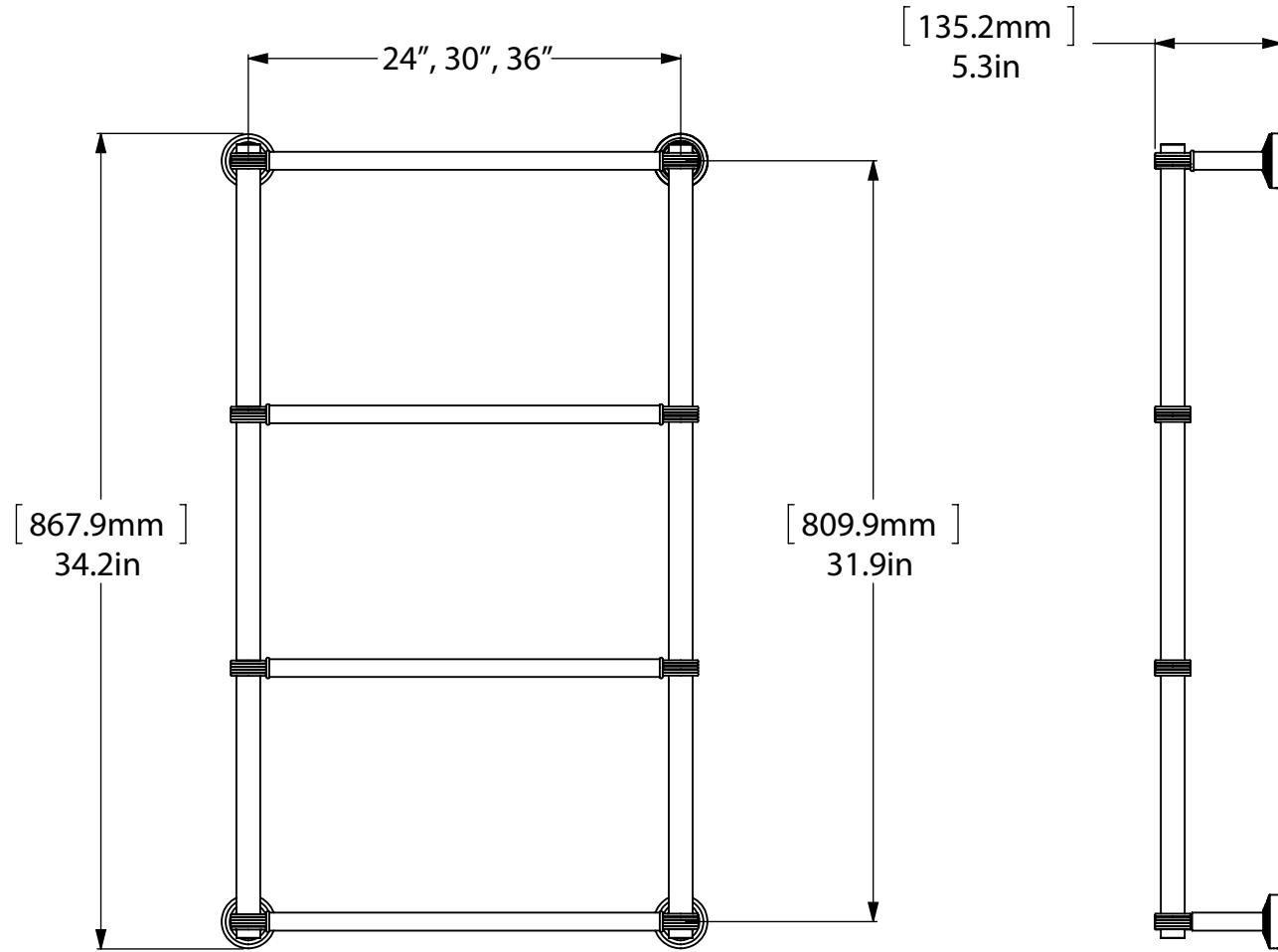


ITEM NO.	P/N	Description	QTY.
1	BPWV	BACKPLATE	4
2	TU34-3	POST	4
3	CRRD-34	CHECK RING	20
4	RGGVD	HUB	4
5	RGGVT	HUB	4
6	TU1-10	TUBE	6
7	TU34-24,30,36	BAR	4



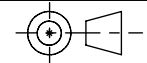
**APPROVED FOR PRODUCTION**

BY: RICHARD PAUL  
DATE: 01/05/2018

UNLESS OTHERWISE STATED

.X	±.3mm
.XX	±.15mm
.XXX	±.008mm

COPYRIGHT © Allied Brass 2018



THIRD ANGLE PROJECTION

DRAWN	1-05-18	I.M
CHECKED	1-05-18	P.D
APPROVED	1-05-18	R.A

MATERIAL:	BRASS		FINISH	TBD
DESCRIPTION:	LADDER TOWEL BAR		QUANTITY	TBD
			DRAWING No.	REV
			WP-28G	0
SCALE	1:8	SHEET: 01	A4	

